

## Application Description

- Drop-in solution to replace the Joucomatic® block on Sidel® / Simonazzi® filling machines. This custom 4, 5 or 6 station bar manifold solution bolts up to the existing mounting screws.



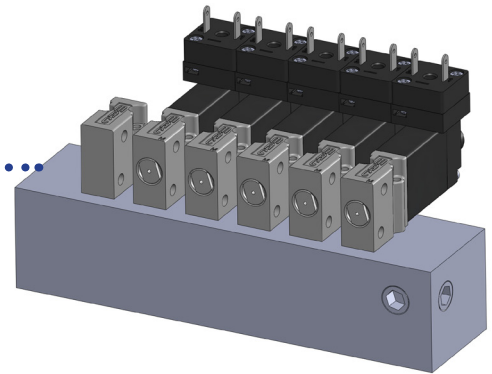
Previous solution

## Challenges

- Regular replacement of OEM supplied valves.
- Inconsistent response times of the valves.

## MAC Solutions

- **Valves :** 34B-L00-GDD0-1TJ
- **Manifold only:** EBP34B-EJ99
- **Blanking plate:** M-34005
- **Manifold assembly**
  - with 4 valves: SME-1145
  - with 5 valves: SME-1146
  - with 6 valves: SME-1147



## Customer Benefits

- Reliable alternative to OEM supplied valves that have been a source of much downtime.
- Less downtime and reduced cost per failure.
- Less spare parts in inventory.
- Increased reliability.
- Increased filling accuracy due to the consistent response times of the valves.

## Cost Savings

- Savings realized in increased production, reduced labour cost and fewer replacement parts.
- Savings realized by reducing overfilling.
- MDN Associates worldwide are skilled to support you in estimating cost savings you can achieve with this upgrade.