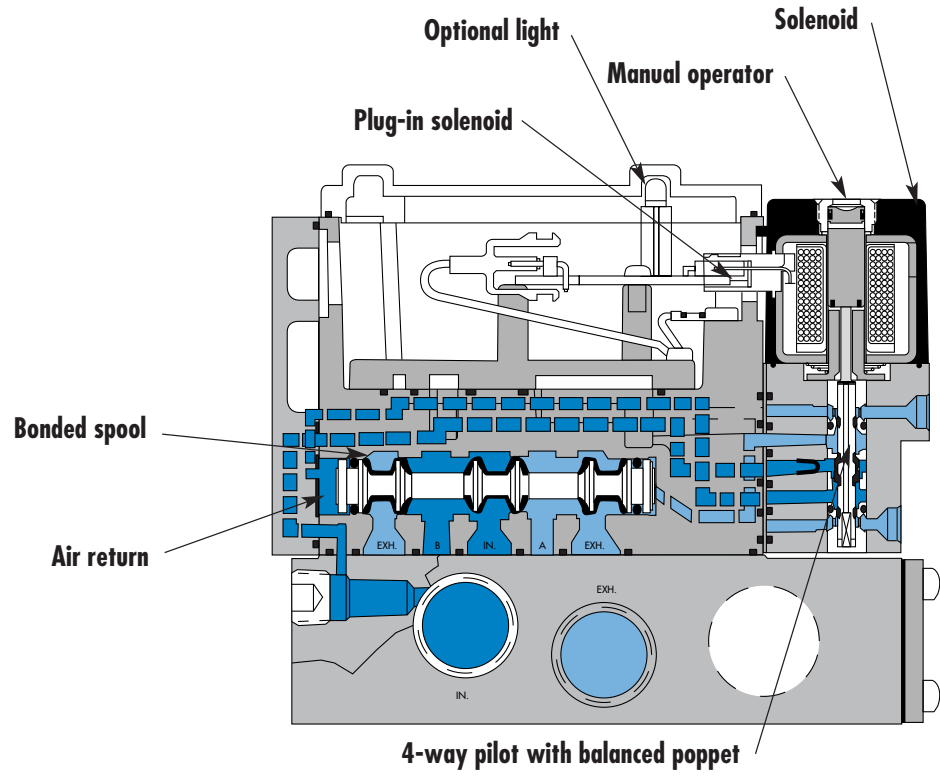


Individual mounting		Series
Sub-base non "plug-in"	Sub-base "plug-in"	
		33
		34
Manifold mounting		Series
Sub-base non "plug-in"	Sub-base "plug-in"	
		36
		32
		37
		38
		52
		67
		69
		44
		46
		42
		47
		48P
		48
		400
		92

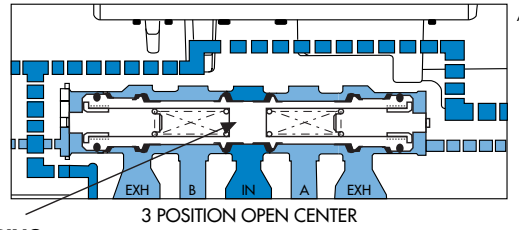
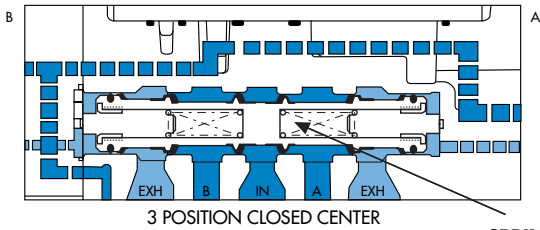
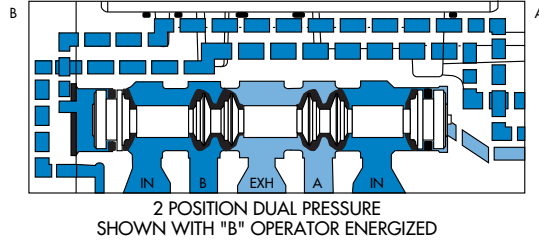
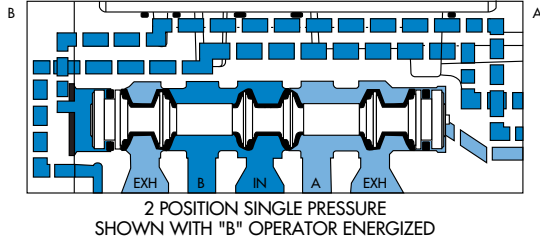


SERIES FEATURES

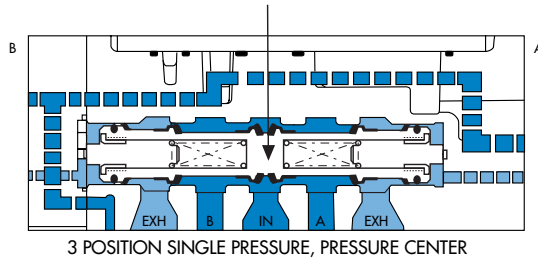
- Patented MACSOLENOID® for fastest possible response times and virtually burn-out proof AC solenoid operation.
- Optional low watt DC solenoids.
- Optional memory spring.
- Plug-in design of valves and bases for ease of maintenance.
- 2 position or 3 position valve configurations.

- 93**
- ISO 01**
- ISO 02**
- ISO 1**
- ISO 2**
- ISO 3**

SPOOL CONFIGURATIONS



SPRING CENTERING



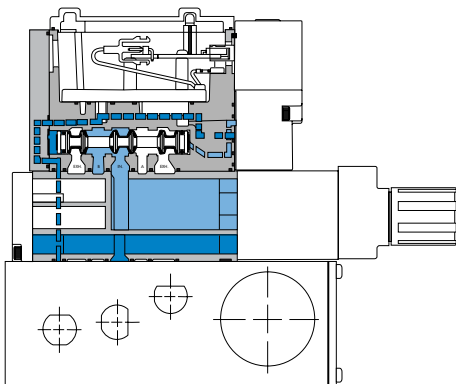
REGULATOR CONFIGURATIONS

SINGLE REGULATOR - SINGLE PRESSURE

Pressure supplied to the individual or manifold base passes through the regulator. Regulated pressure is supplied to the pressure path of the valve.

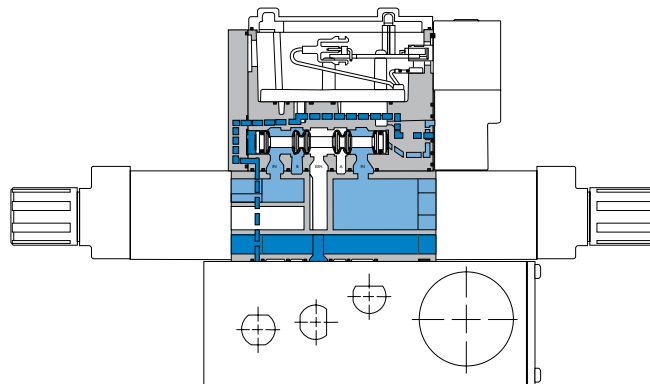
DUAL REGULATOR - DUAL PRESSURE

Pressure supplied from each regulator is divided in the block. Regulated pressure from "A" regulator supplies cylinder port "A". Regulated pressure from "B" regulator supplies cylinder port "B". Dual pressure regulators require dual pressure spool in valve.



MANIFOLD WITH REGULATOR - SINGLE PRESSURE

Note: For both single and dual pressure, air supply to the pilot system is never regulated.



MANIFOLD WITH REGULATOR - DUAL PRESSURE



Direct solenoid and solenoid pilot operated valves

Function	Port size	Flow (Max)	Individual mounting	Series
5/2, 5/3	1/8" - 1/4" - 3/8"	1.2 C_v	Sub-base non "plug-in"	

OPERATIONAL BENEFITS

1. The 4-way pilot develops maximum shifting forces both ways.
2. Memory spring available.
3. Balanced spool, immune to variations of pressure, also provides high flow.
4. Short stroke with high flow.
5. Bonded seal spool with minimum friction, shifting in a glass-like finished bore.
6. Pilot with balanced poppet, high flow; short and consistent response times.



HOW TO ORDER

SINGLE PRESSURE MODELS

Port size	Pilot air	5/2 Single operator	5/2 Double operator	5/3 Closed center	5/3 Open center	5/3 Pressure center
Valve less base		92B-ABA-000-DM-Dxxx-xxx	92B-BBA-000-DM-Dxxx-xxx	92B-EBA-000-DM-Dxxx-xxx	92B-FBA-000-DM-Dxxx-xxx	92B-GBA-000-DM-Dxxx-xxx
1/8" NPTF		92B-ABA-AAG-DM-Dxxx-xxx	92B-BBA-AAG-DM-Dxxx-xxx	92B-EBA-AAG-DM-Dxxx-xxx	92B-FBA-AAG-DM-Dxxx-xxx	92B-GBA-AAG-DM-Dxxx-xxx
1/4" NPTF	Internal	92B-ABA-BAG-DM-Dxxx-xxx	92B-BBA-BAG-DM-Dxxx-xxx	92B-EBA-BAG-DM-Dxxx-xxx	92B-FBA-BAG-DM-Dxxx-xxx	92B-GBA-BAG-DM-Dxxx-xxx
3/8" NPTF		92B-ABA-CAG-DM-Dxxx-xxx	92B-BBA-CAG-DM-Dxxx-xxx	92B-EBA-CAG-DM-Dxxx-xxx	92B-FBA-CAG-DM-Dxxx-xxx	92B-GBA-CAG-DM-Dxxx-xxx
1/8" NPTF		92B-ABA-AAH-DM-Dxxx-xxx	92B-BBA-AAH-DM-Dxxx-xxx	92B-EBA-AAH-DM-Dxxx-xxx	92B-FBA-AAH-DM-Dxxx-xxx	92B-GBA-AAH-DM-Dxxx-xxx
1/4" NPTF	External	92B-ABA-BAH-DM-Dxxx-xxx	92B-BBA-BAH-DM-Dxxx-xxx	92B-EBA-BAH-DM-Dxxx-xxx	92B-FBA-BAH-DM-Dxxx-xxx	92B-GBA-BAH-DM-Dxxx-xxx
3/8" NPTF		92B-ABA-CAH-DM-Dxxx-xxx	92B-BBA-CAH-DM-Dxxx-xxx	92B-EBA-CAH-DM-Dxxx-xxx	92B-FBA-CAH-DM-Dxxx-xxx	92B-GBA-CAH-DM-Dxxx-xxx

DUAL PRESSURE MODELS (REQUIRE SANDWICH REGULATOR – SEE "REGULATORS" SECTION)

Port size	Pilot air	5/2 Single operator	5/2 Double operator
Valve less base		92B-CBA-000-DM-Dxxx-xxx	92B-DBA-000-DM-Dxxx-xxx
1/8" NPTF		92B-CBA-AAG-DM-Dxxx-xxx	92B-DBA-AAG-DM-Dxxx-xxx
1/4" NPTF	Internal	92B-CBA-BAG-DM-Dxxx-xxx	92B-DBA-BAG-DM-Dxxx-xxx
3/8" NPTF		92B-CBA-CAG-DM-Dxxx-xxx	92B-DBA-CAG-DM-Dxxx-xxx
1/8" NPTF		92B-CBA-AAH-DM-Dxxx-xxx	92B-DBA-AAH-DM-Dxxx-xxx
1/4" NPTF	External	92B-CBA-BAH-DM-Dxxx-xxx	92B-DBA-BAH-DM-Dxxx-xxx
3/8" NPTF		92B-CBA-CAH-DM-Dxxx-xxx	92B-DBA-CAH-DM-Dxxx-xxx

SOLENOID OPERATOR >

DM-D **XXX-XXX***

Above models are shown with side ports.

XX Voltage	X Wire length	X Manual operator	XX Electrical connection
JA 110 /50, 120/60 (2.9W)	A 18" (Flying leads)	1 Non-locking recessed	BM Flying leads
JB 220/50, 240/60 (2.9W)	B 24" (Flying leads)	2 Locking recessed	BN Flying leads with diode
JC 24/60 (2.9W)	J Connector		BP Flying leads with M.O.V.
FB 24 VDC (1.8W)			BG Flying leads with ground
DA 24 VDC (5.4W)			JB Rectangular connector
DF 24 VDC (12.7W)			JD Rectangular connector with light
			KA Square connector

* Other options available, see page 309.
Other options available for the 92 series valves, see page 155.

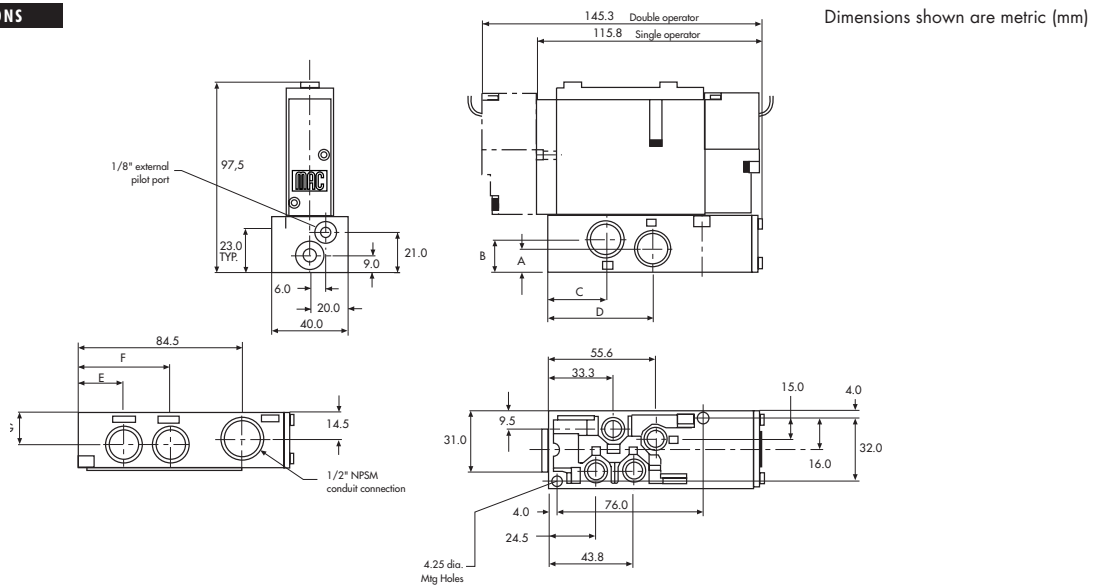
33
34
36
32
37
38
52
67
69
44
46
42
47
48P
48
400
92
93
ISO 01
ISO 02
ISO 1
ISO 2
ISO 3

TECHNICAL DATA

Fluid :	Compressed air, vacuum, inert gases
Pressure range :	Internal pilot : 20 to 120 PSI 3 position : 35 to 120 PSI External pilot : vacuum to 120 PSI 3 position : 35 to 120 PSI
Lubrication :	Not required, if used select a medium aniline point lubricant (between 180°F and 210°F)
Filtration :	40 µ
Temperature range :	0°F to 120°F (-18°C to +50°C)
Flow :	1/8": (1.0 C _v) – 1/4": (1.1 C _v) – 3/8": (1.2 C _v)
Coil :	Class A continuous duty, #22 AWG x 18 lead wire
Voltage range :	-15% to +10% of nominal voltage
Protection :	Consult factory
Power :	~Inrush 7.6 VA Holding : 4.8 VA = 1.8 to 12.7 W
Response times :	24V=5.4W Energize : 8 ms De-energize : 7 ms 120/60 Energize : 7-13 ms De-energize : 12-20 ms

- Options : • BSPP threads • Sandwich flow control: FC92B-CA
- Spare parts : • Pilot valve DM-Dxxx-xxx • Valve blanking plate: M-92002
 • Pressure seal between valve and base : 16543. • Mounting screws valve to base (X2) : 35050.

DIMENSIONS



DIM.	A	B	C	D	E	F	G
1/8"	12.5	18.0	31.0	54.0	23.5	46.5	18.0
1/4"	12.5	18.0	31.0	54.0	23.5	46.5	18.0
3/8"	12.0	17.0	30.0	54.0	23.5	47.5	17.0



Direct solenoid and solenoid pilot operated valves

Function	Port size	Flow (Max)	Individual mounting	Series
5/2, 5/3	1/8" - 1/4" - 3/8"	1.2 C_v	Sub-base "plug-in"	

OPERATIONAL BENEFITS

1. The 4-way pilot develops maximum shifting forces both ways.
2. Memory spring available.
3. Balanced spool, immune to variations of pressure, also provides high flow.
4. Short stroke with high flow.
5. Bonded seal spool with minimum friction, shifting in a glass-like finished bore.
6. Pilot with balanced poppet, high flow; short and consistent response times.



33
34
36
32
37
38
52
67
69
44

HOW TO ORDER

SINGLE PRESSURE MODELS

Port size	Pilot air	5/2 Single operator	5/2 Double operator	5/3 Closed center	5/3 Open center	5/3 Pressure center
Valve less base		92B-AAA-000-DM-DxxP-xxx	92B-BAA-000-DM-DxxP-xxx	92B-EAA-000-DM-DxxP-xxx	92B-FAA-000-DM-DxxP-xxx	92B-GAA-000-DM-DxxP-xxx
1/8"	Internal	92B-AAA-AAA-DM-DxxP-xxx	92B-BAA-AAA-DM-DxxP-xxx	92B-EAA-AAA-DM-DxxP-xxx	92B-FAA-AAA-DM-DxxP-xxx	92B-GAA-AAA-DM-DxxP-xxx
1/4"		92B-AAA-BAA-DM-DxxP-xxx	92B-BAA-BAA-DM-DxxP-xxx	92B-EAA-BAA-DM-DxxP-xxx	92B-FAA-BAA-DM-DxxP-xxx	92B-GAA-BAA-DM-DxxP-xxx
3/8"		92B-AAA-CAA-DM-DxxP-xxx	92B-BAA-CAA-DM-DxxP-xxx	92B-EAA-CAA-DM-DxxP-xxx	92B-FAA-CAA-DM-DxxP-xxx	92B-GAA-CAA-DM-DxxP-xxx
1/8"	External	92B-AAA-AAD-DM-DxxP-xxx	92B-BAA-AAD-DM-DxxP-xxx	92B-EAA-AAD-DM-DxxP-xxx	92B-FAA-AAD-DM-DxxP-xxx	92B-GAA-AAD-DM-DxxP-xxx
1/4"		92B-AAA-BAD-DM-DxxP-xxx	92B-BAA-BAD-DM-DxxP-xxx	92B-EAA-BAD-DM-DxxP-xxx	92B-FAA-BAD-DM-DxxP-xxx	92B-GAA-BAD-DM-DxxP-xxx
3/8"		92B-AAA-CAD-DM-DxxP-xxx	92B-BAA-CAD-DM-DxxP-xxx	92B-EAA-CAD-DM-DxxP-xxx	92B-FAA-CAD-DM-DxxP-xxx	92B-GAA-CAD-DM-DxxP-xxx

46
42
47
48P
48

DUAL PRESSURE MODELS (REQUIRE SANDWICH REGULATOR – SEE "REGULATORS" SECTION)

Port size	Pilot air	5/2 Single operator	5/2 Double operator
Valve less base		92B-CAA-000-DM-DxxP-xxx	92B-DAA-000-DM-DxxP-xxx
1/8"	Internal	92B-CAA-AAA-DM-DxxP-xxx	92B-DAA-AAA-DM-DxxP-xxx
1/4"		92B-CAA-BAA-DM-DxxP-xxx	92B-DAA-BAA-DM-DxxP-xxx
3/8"		92B-CAA-CAA-DM-DxxP-xxx	92B-DAA-CAA-DM-DxxP-xxx
1/8"	External	92B-CAA-AAD-DM-DxxP-xxx	92B-DAA-AAD-DM-DxxP-xxx
1/4"		92B-CAA-BAD-DM-DxxP-xxx	92B-DAA-BAD-DM-DxxP-xxx
3/8"		92B-CAA-CAD-DM-DxxP-xxx	92B-DAA-CAD-DM-DxxP-xxx

400
92
93

SOLENOID OPERATOR >

DM-D **XX** P-**XXX***

Above models are shown with side ports.

XX Voltage	X Manual operator	XX Electrical connection
JA 110 / 50, 120 / 60 (2.9W)	1 Non-locking recessed	DM Plug-in
JB 220 / 50, 240 / 60 (2.9W)	2 Locking recessed	DN Plug-in with diode
JC 24 / 60 (2.9W)		DP Plug-in with M.O.V.
FB 24 VDC (1.8W)		DG Plug-in with ground
DA 24 VDC (5.4W)		DJ Plug-in with M.O.V. & ground
DF 24 VDC (12.7W)		DH Plug-in with diode & ground

ISO 01
ISO 02
ISO 1
ISO 2
ISO 3

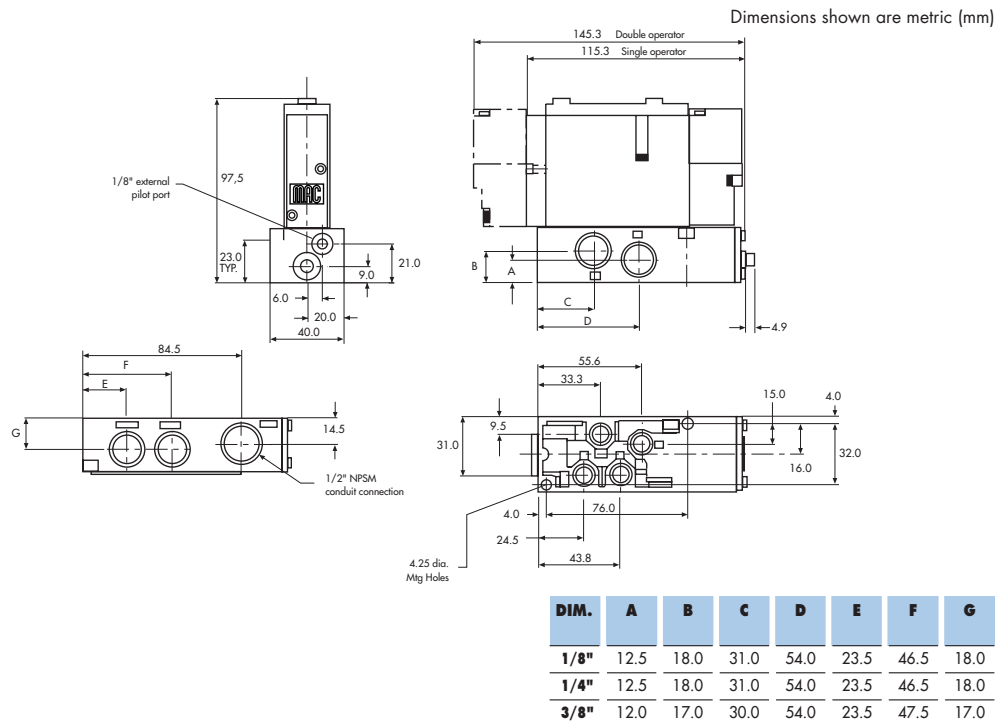
* Other options available, see page 309.
Note: Ground required for 30 Volts or higher.
Other options available for the 92 series valves, see page 156.

TECHNICAL DATA

Fluid :	Compressed air, vacuum, inert gases
Pressure range :	Internal pilot : 20 to 120 PSI 3 position : 35 to 120 PSI External pilot : vacuum to 120 PSI 3 position : 35 to 120 PSI
Lubrication :	Not required, if used select a medium aniline point lubricant (between 180°F and 210°F)
Filtration :	40 µ
Temperature range :	0°F to 120°F (-18°C to +50°C)
Flow :	1/8": (1.0 C _v) – 1/4": (1.1 C _v) – 3/8": (1.2 C _v)
Coil :	Class A continuous duty, #22 AWG x 18 lead wire
Voltage range :	-1.5% to +10% of nominal voltage
Protection :	Consult factory
Power :	~Inrush 7.6 VA Holding : 4.8 VA = 1.8 to 12.7 W
Response times :	24V=/5.4W Energize : 8 ms De-energize : 7 ms 120/60 Energize : 7-13 ms De-energize : 12-20 ms

- Options : • BSPP threads • Sandwich flow control: FC92B-AA (sgl. operator), FC92B-BA (dbl. operator)
- Spare parts : • Pilot valve DM-DxxP-xxx • Valve blanking plate: M-92002
 • Pressure seal between valve and base : 16543. • Mounting screws valve to base (X2) : 35050.

DIMENSIONS





Direct solenoid and solenoid pilot operated valves

Function	Port size	Flow (Max)	Manifold mounting	Series
5/2, 5/3	1/4" - 3/8"	1.2 C_v	Sub-base non "plug-in"	

OPERATIONAL BENEFITS

1. The 4-way pilot develops maximum shifting forces both ways.
2. Memory spring available.
3. Balanced spool, immune to variations of pressure, also provides high flow.
4. Short stroke with high flow.
5. Bonded seal spool with minimum friction, shifting in a glass-like finished bore.
6. Pilot with balanced poppet, high flow; short and consistent response times.
7. Wiping effect eliminates sticking.
8. Long service life.



HOW TO ORDER

SINGLE PRESSURE MODELS

Port size	Pilot air	5/2 Single operator	5/2 Double operator	5/3 Closed center	5/3 Open center	5/3 Pressure center
Valve less base		92B-ABA-000-DM-Dxxx-xxx	92B-BBA-000-DM-Dxxx-xxx	92B-EBA-000-DM-Dxxx-xxx	92B-FBA-000-DM-Dxxx-xxx	92B-GBA-000-DM-Dxxx-xxx
1/4" NPTF	Internal	92B-ABA-BJG-DM-Dxxx-xxx	92B-BBA-BJG-DM-Dxxx-xxx	92B-EBA-BJG-DM-Dxxx-xxx	92B-FBA-BJG-DM-Dxxx-xxx	92B-GBA-BJG-DM-Dxxx-xxx
3/8" NPTF		92B-ABA-CJG-DM-Dxxx-xxx	92B-BBA-CJG-DM-Dxxx-xxx	92B-EBA-CJG-DM-Dxxx-xxx	92B-FBA-CJG-DM-Dxxx-xxx	92B-GBA-CJG-DM-Dxxx-xxx

DUAL PRESSURE MODELS (REQUIRE SANDWICH REGULATOR – SEE "REGULATORS" SECTION)

Port size	Pilot air	5/2 Single operator	5/2 Double operator
Valve less base		92B-CBA-000-DM-Dxxx-xxx	92B-DBA-000-DM-Dxxx-xxx
1/4" NPTF	Internal	92B-CBA-BJG-DM-Dxxx-xxx	92B-DBA-BJG-DM-Dxxx-xxx
3/8" NPTF		92B-CBA-CJG-DM-Dxxx-xxx	92B-DBA-CJG-DM-Dxxx-xxx

Above models are shown with side ports.

SOLENOID OPERATOR >

DM-D **XXX-XXX***

XX Voltage	X Wire length	X Manual operator	XX Electrical connection
JA 110 /50, 120/60 (2.9W)	A 18" (flying leads)	1 Non-locking recessed	KA Square connector
JB 220/50, 240/60 (2.9W)	J Connector	2 Locking recessed	KD Square connector with light
JC 24/60 (2.9W)			JB Rectangular connector
FB 24 VDC (1.8W)			JD Rect. connector with light
DA 24 VDC (5.4W)			BA Flying leads
DF 24 VDC (12.7W)			BK Flying leads with diode

* Other options available, see page 309.

End plate kit required (port size 3/8"): M-92004-01-01 (internal pilot)
M-92004-02-01 (External pilot)

Other options available for the 92 series valves, see page 155.

- 33
- 34
- 36
- 32
- 37
- 38
- 52
- 67
- 69
- 44
- 46
- 42
- 47
- 48P
- 48
- 400
- 92
- 93
- ISO 01
- ISO 02
- ISO 1
- ISO 2
- ISO 3

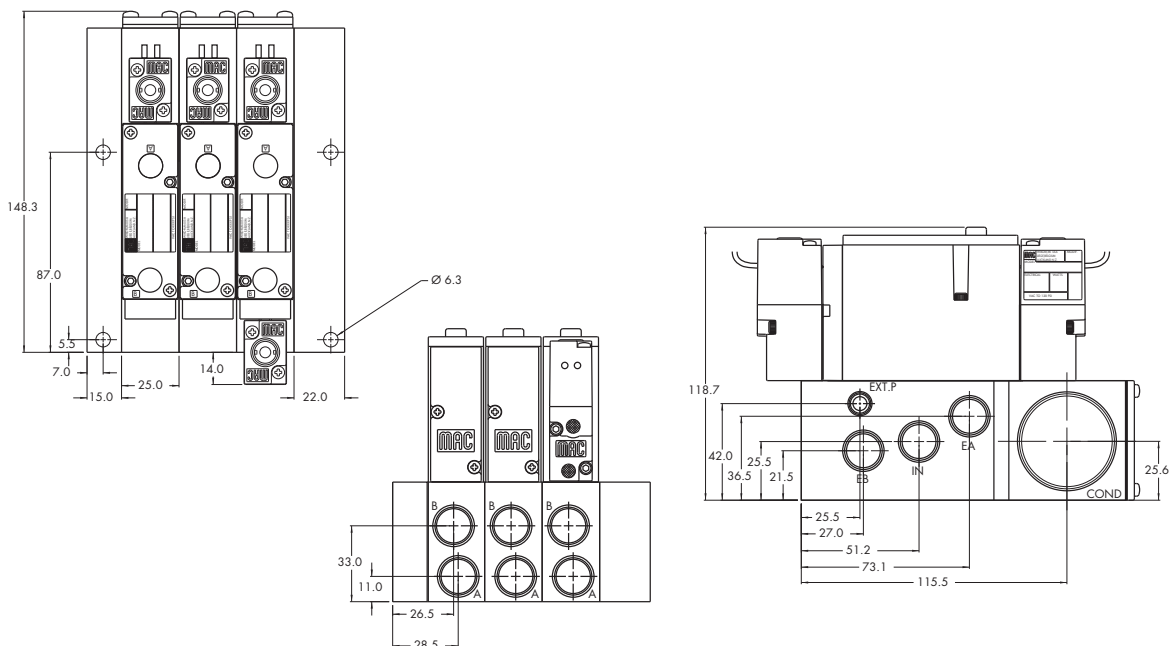
TECHNICAL DATA

Fluid :	Compressed air, vacuum, inert gases
Pressure range :	Internal pilot : 20 to 120 PSI 3 position : 35 to 120 PSI External pilot : vacuum to 120 PSI 3 position : 35 to 120 PSI
Lubrication :	Not required, if used select a medium aniline point lubricant (between 180°F and 210°F)
Filtration :	40 µ
Temperature range :	0°F to 120°F (-18°C to +50°C)
Flow :	1/4": (1.1 C _v) – 3/8": (1.2 C _v)
Coil :	Class A continuous duty, #22 AWG x 18 leads
Voltage range :	-1.5% to +10% of nominal voltage
Protection :	Consult factory
Power :	~Inrush 7.6 VA Holding : 4.8 VA = 1.8 to 12.7 W
Response times :	24V=/5.4W Energize : 8 ms De-energize : 7 ms 120/60 Energize : 7-13 ms De-energize : 12-20 ms

- Options : • BSPP threads • Sandwich flow controls: FC92B-CA
- Spare parts : • Pilot valve: DM-Dxxx-xxx • Valve blanking plate: M-92002 • Pressure seal, valve to base 16543
 • Inlet/Exhaust isolator disc: N-92018.

DIMENSIONS

Dimensions shown are metric (mm)



Function	Port size	Flow (Max)	Manifold mounting	Series
5/2, 5/3	1/4" - 3/8"	1.2 C_v	Sub-base "plug-in"	


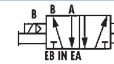

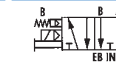

OPERATIONAL BENEFITS

1. The 4-way pilot develops maximum shifting forces both ways.
2. Memory spring available.
3. Balanced spool, immune to variations of pressure, also provides high flow.
4. Short stroke with high flow.
5. Bonded seal spool with minimum friction, shifting in a glass-like finished bore.
6. Pilot with balanced poppet, high flow; short and consistent response times.
7. Wiping effect eliminates sticking.
8. Long service life.


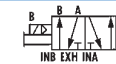


HOW TO ORDER

SINGLE PRESSURE MODELS

Port size	Pilot air	5/2 Single operator	5/2 Double operator	5/3 Closed center	5/3 Open center	5/3 Pressure center
						
Valve less base		92B-AAA-000-DM-DxxP-xxx	92B-BAA-000-DM-DxxP-xxx	92B-EAA-000-DM-DxxP-xxx	92B-FAA-000-DM-DxxP-xxx	92B-GAA-000-DM-DxxP-xxx
1/4" NPTF	Internal	92B-AAA-BJA-DM-DxxP-xxx	92B-BAA-BJA-DM-DxxP-xxx	92B-EAA-BJA-DM-DxxP-xxx	92B-FAA-BJA-DM-DxxP-xxx	92B-GAA-BJA-DM-DxxP-xxx
3/8" NPTF		92B-AAA-CJA-DM-DxxP-xxx	92B-BAA-CJA-DM-DxxP-xxx	92B-EAA-CJA-DM-DxxP-xxx	92B-FAA-CJA-DM-DxxP-xxx	92B-GAA-CJA-DM-DxxP-xxx

DUAL PRESSURE MODELS (REQUIRE SANDWICH REGULATOR – SEE "REGULATORS" SECTION)

Port size	Pilot air	5/2 Single operator	5/2 Double operator
			
Valve less base		92B-CAA-000-DM-DxxP-xxx	92B-DAA-000-DM-DxxP-xxx
1/4" NPTF	Internal	92B-CAA-BJA-DM-DxxP-xxx	92B-DAA-BJA-DM-DxxP-xxx
3/8" NPTF		92B-CAA-CJA-DM-DxxP-xxx	92B-DAA-CJA-DM-DxxP-xxx

SOLENOID OPERATOR >

DM-D XX P-XXX*

Above models are shown with side ports and no lights.

XX Voltage	X Manual operator	XX Electrical connection
JA 110 / 50, 120 / 60 (2.9W)	1 Non-locking recessed	DM Plug-in
JB 220 / 50, 240 / 60 (2.9W)	2 Locking recessed	DN Plug-in with diode
JC 24 / 60 (2.9W)		DP Plug-in with M.O.V.
FB 24 VDC (1.8W)		DG Plug-in with ground
DA 24 VDC (5.4W)		DJ Plug-in with M.O.V. & ground
DF 24 VDC (12.7W)		DH Plug-in with diode & ground

* Other options available, see page 309.
 Note: Ground required for 30 Volts or higher.
 End plate kit required (port size 3/8"): M-92004-01-01 (internal pilot)
 M-92004-02-01 (external pilot)

Other options available for the 92 series valves, see page 156.

33
34
36
32
37
38
52
67
69
44
46
42
47
48P
48
400
92
93
ISO 01
ISO 02
ISO 1
ISO 2
ISO 3

TECHNICAL DATA

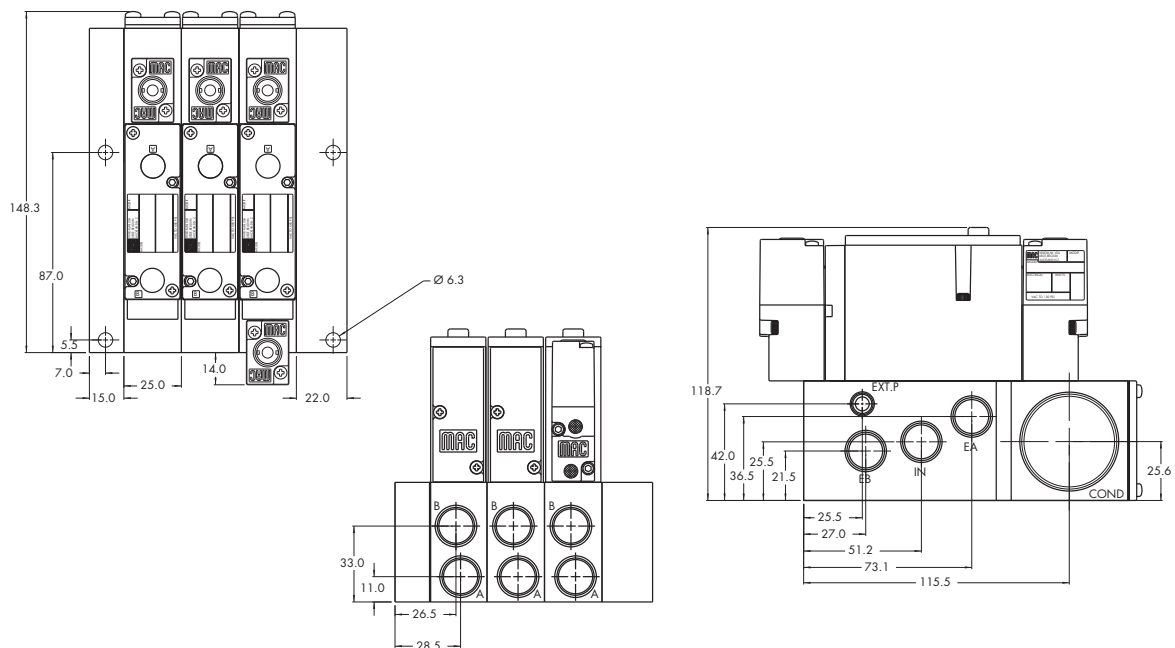
Fluid :	Compressed air, vacuum, inert gases		
Pressure range :	Internal pilot : 20 to 120 PSI	3 position : 35 to 120 PSI	
	External pilot : vacuum to 120 PSI	3 position : 35 to 120 PSI	
Lubrication :	Not required, if used select a medium aniline point lubricant (between 180°F and 210°F)		
Filtration :	40 µ		
Temperature range :	0°F to 120°F (-18°C to +50°C)		
Flow :	1/4": (1.1 C _v) – 3/8": (1.2 C _v)		
Coil :	Class A continuous duty, #22 AWG x 12 base leads		
Voltage range :	-1.5% to +10% of nominal voltage		
Protection :	Consult factory		
Power :	~Inrush 7.6 VA	Holding : 4.8 VA	
	= 1.8 to 12.7 W		
Response times :	24V=/5.4W	Energize : 8 ms	De-energize : 7 ms
	120/60	Energize : 7-13 ms	De-energize : 12-20 ms

Options : • BSPP threads • Sandwich flow controls: FC92B-AA (sgl. operator), FC92B-BA (dbl. operator)

Spare parts : • Pilot valve: DM-DxxP-xxx • Valve blanking plate: M-92002 • Pressure seal, valve to base: 16543
• Mounting screws valve to base (x2): 35050 • Inlet/Exhaust isolator disc: N-92018.

DIMENSIONS

Dimensions shown are metric (mm)



OPTIONS FOR NON PLUG-IN VALVES	33
Valve function	34
92B- H XX-XXX-XX-Dxxx-xxx	36
<ul style="list-style-type: none"> H for 3 position dual pressure, pressure center* J for 3 position dual pressure, closed center* K for 3 position dual pressure, open center* L for single operator, single pressure with memory spring N for single operator, dual pressure with memory spring* 	32
Pilot exhaust	37
92B-X B X-XXX-XX-Dxxx-xxx	38
<ul style="list-style-type: none"> B standard pilot exhaust D pilot exhaust to main valve exhaust** 	52
Port configuration :	67
Individual sub-base	69
92B-XXX-X A X-XX-Dxxx-xxx	44
<ul style="list-style-type: none"> A side ports B bottom ports (1/8" only) C side & bottom ports (1/8" only) D side inlet & exhaust with bottom cylinder ports (1/8") 	46
Manifold sub-base	42
92B-XXX-X J X-XX-Dxxx-xxx	47
<ul style="list-style-type: none"> J side ports K bottom ports 	48P
Pilot style :	48
92B-XXX-XXX- DM -Dxxx-xxx	400
<ul style="list-style-type: none"> DM pilot exhaust muffled DP pilot exhaust piped (#10-32) DU pilot exhaust to main exhaust 	92
Base only :	
92B-000-XXX (i.e. 92B-000-AAG) - Individual base	
92B-000-XXX (i.e. 92B-000-BJG) - Manifold base	

* Requires sandwich regulator.
 ** Must use DU pilot. Main valve exhaust cannot be restricted.

- 93**
- ISO 01**
- ISO 02**
- ISO 1**
- ISO 2**
- ISO 3**



Direct solenoid and solenoid pilot operated valves

OPTIONS FOR PLUG-IN VALVES

Valve function

92B-**HXX**-XXX-XX-D**xxP**-xxx

- H** for 3 position dual pressure, pressure center*
- J** for 3 position dual pressure, closed center*
- K** for 3 position dual pressure, open center*
- L** for single operator, single pressure with memory spring
- N** for single operator, dual pressure with memory spring*

Pilot exhaust

92B-X**AX**-XXX-XX-D**xxP**-xxx

- A** standard pilot exhaust
- C** pilot exhaust to main valve exhaust**

Body electrical

92B-XX**A**-XXX-XX-D**xxP**-xxx

- A** no light
- B** light(s)
- F** suppression and blocking diode with light(s)
- H** M.O.V. with light(s)

Port configuration :

Individual sub-base

92B-XXX-X**AX**-XX-D**xxP**-xxx

- A** side ports
- B** bottom ports (1/8" only)
- C** side & bottom ports (1/8" only)
- D** side inlet & exhaust with bottom cylinder ports (1/8")

Manifold sub-base

92B-XXX-X**JX**-XX-D**xxP**-xxx

- J** side ports
- K** bottom ports

Individual & Manifold sub-base Int. pilot

92B-XXX-XX**A**-XX-D**xxP**-xxx

- A** internal pilot no light
- B** internal pilot single light
- C** internal pilot double light

Individual sub-base Ext. pilot

92B-XXX-XX**D**-XX-D**xxP**-xxx

- D** external pilot no light
- E** external pilot single light
- F** external pilot double light

Pilot style :

92B-XXX-XXX-**DM**-D**xxP**-xxx

- DM** pilot exhaust muffled
- DP** pilot exhaust piped (#10-32)
- DU** pilot exhaust to main exhaust

Lead Wire Lengths : (manifold sub-base only)

92B-XXX-XXX-DM-D**xxP**-xxx

- P** 12" leads
- 1** 18" leads
- 2** 24" leads
- 3** 36" leads
- 4** 48" leads
- 5** 72" leads

Base only :

92B-000-XXX (i.e. 92B-000-AAA) - Individual base

(Note: bases are wired for double solenoid valves)

92B-000-XXX (i.e. 92B-000-BJA) - Manifold base

* Requires sandwich regulator.

** Must use DU pilot. Main valve exhaust cannot be restricted.